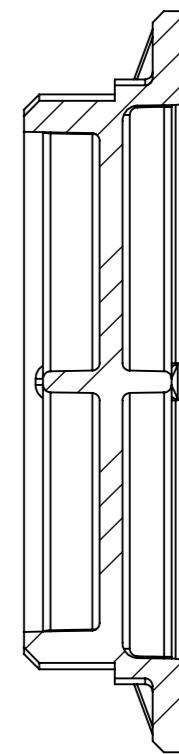
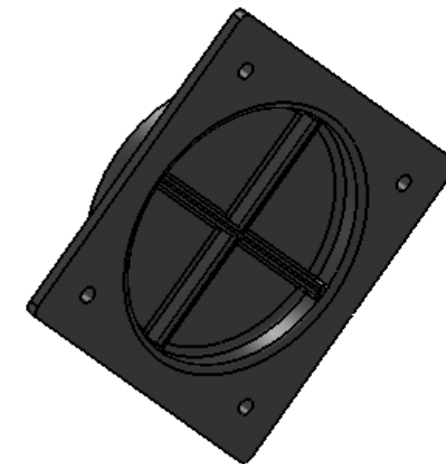
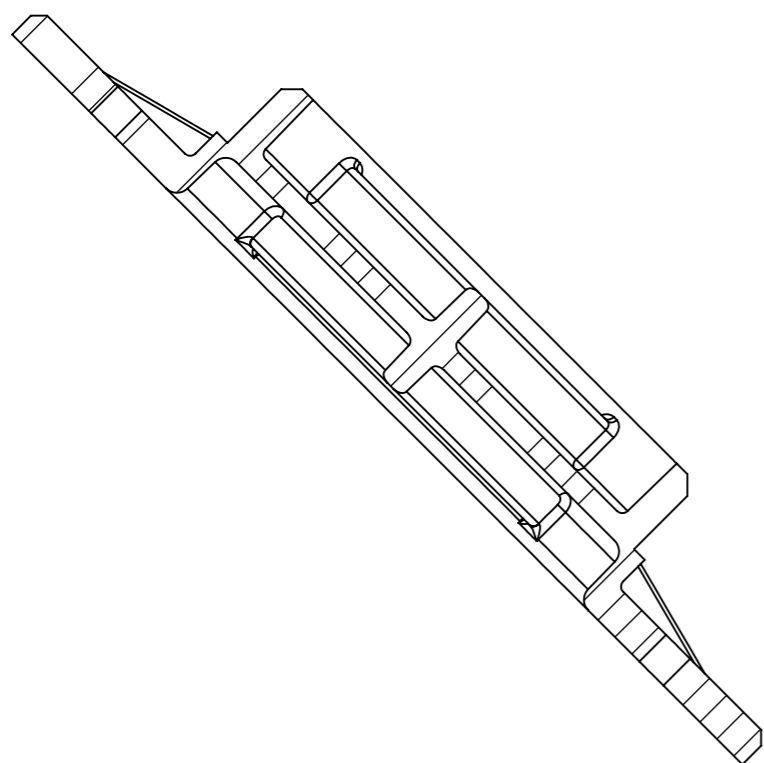


ŘEZ B-B



ŘEZ A-A



UNLESS OTHERWISE SPECIFIED: DIMENSIONS ARE IN MILLIMETERS		FINISH:		DEBUR AND BREAK SHARP EDGES		DO NOT SCALE DRAWING		REVISION	
SURFACE FINISH:						Garsys s.r.o.			
TOLERANCES:									
LINEAR:						Dno PP sprchy			
ANGULAR:									
DRAWN		NAME	SIGNATURE	DATE	TITLE:		V-SS160MTF-003		
CHK'D		Šveda		2012					
APPV'D							A3		
MFG					MATERIAL:		SCALE:1:2		
Q.A					PP				
					WEIGHT:		SHEET 1 OF 1		